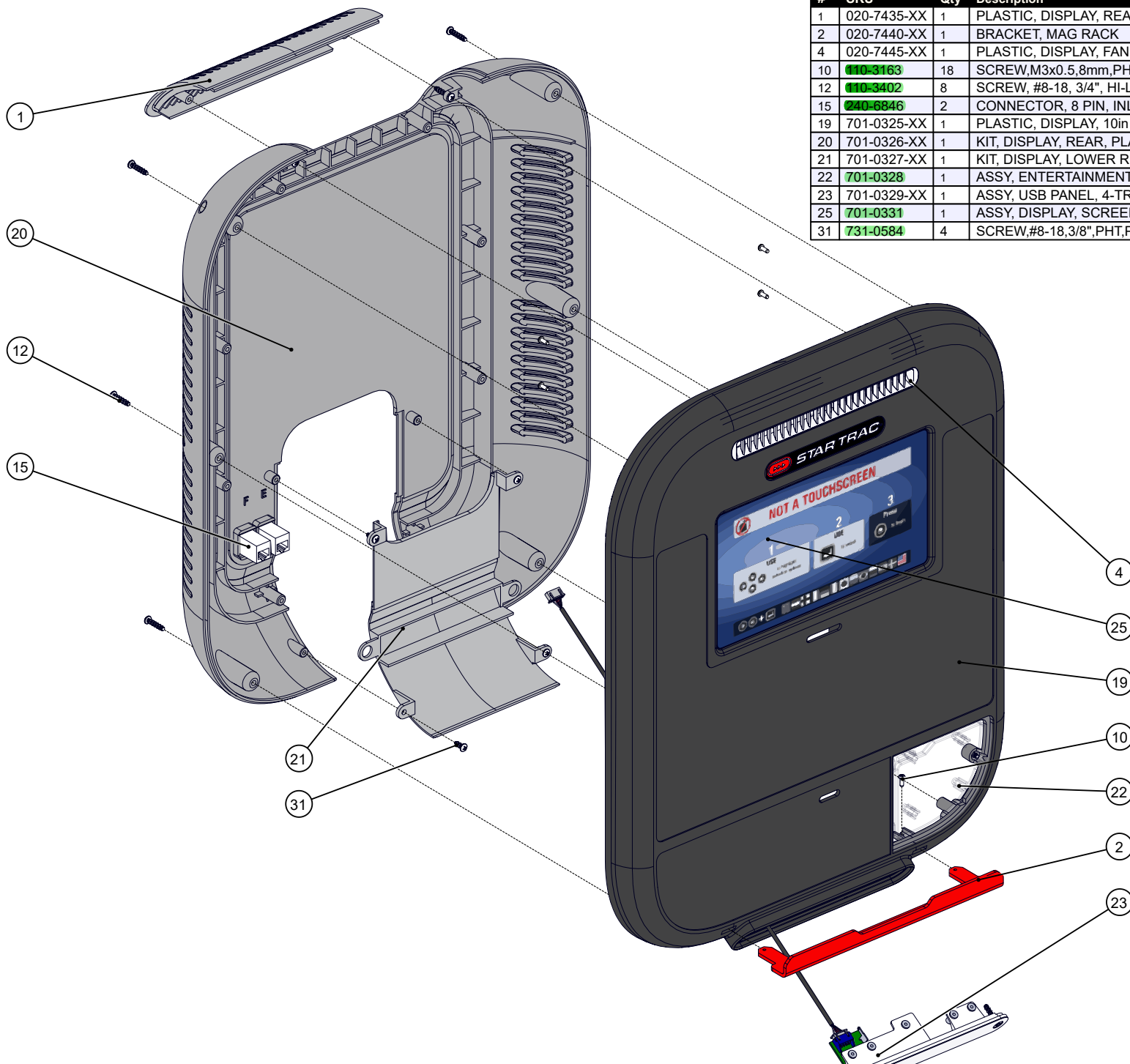


#	SKU	Qty	Description
1	020-7435-XX	1	PLASTIC, DISPLAY, REAR, UPPER COVER, BCS
2	020-7440-XX	1	BRACKET, MAG RACK
4	020-7445-XX	1	PLASTIC, DISPLAY, FAN VENT
10	710-3163	18	SCREW,M3x0.5,8mm,PHT,PH,CS,ZP,TC,Grd-10.9
12	710-3402	8	SCREW, #8-18, 3/4", HI-LOW, PHT, PH, CS, BO
15	240-6846	2	CONNECTOR, 8 PIN, INLINE
19	701-0325-XX	1	PLASTIC, DISPLAY, 10in EMBED, W/ INSERTS, 4-TR
20	701-0326-XX	1	KIT, DISPLAY, REAR, PLASTIC & DECAL, 4-TR
21	701-0327-XX	1	KIT, DISPLAY, LOWER REAR, PLASTIC & DECAL, 4-TR
22	701-0328	1	ASSY, ENTERTAINMENT INSERT, BLANK, 4-TR
23	701-0329-XX	1	ASSY, USB PANEL, 4-TR
25	701-0331	1	ASSY, DISPLAY, SCREEN, 4-TR
31	731-0584	4	SCREW,#8-18,3/8",PHT,PH



#	SKU	Qty	Description
10	110-3163	18	SCREW, M3x0.5, 8mm, PHT, PH, CS, ZP, TC, Grd-10.9
11	110-3165	1	SCREW, #8-18, 1/2", HI-LOW, PHT, PH, CS, ZP-B
12	110-3402	8	SCREW, #8-18, 3/4", HI-LOW, PHT, PH, CS, BO
14	140-3691	2	FOAM, 6.5MM, DISPLAY, 4-TR
17	701-0245	1	CABLE, CSAFE
18	701-0246	1	CABLE, POWER, MYE RECEIVER
26	701-0332	1	ASSY, CABLE, WIRELESS HR, 4-TR
27	701-0333	1	BOARD, HEART RATE, 4-TR
28	701-0357	1	CABLE, GROUNDING, 4-TR
29	715-3911	1	BOARD, MYE TV, CONTROLLER

